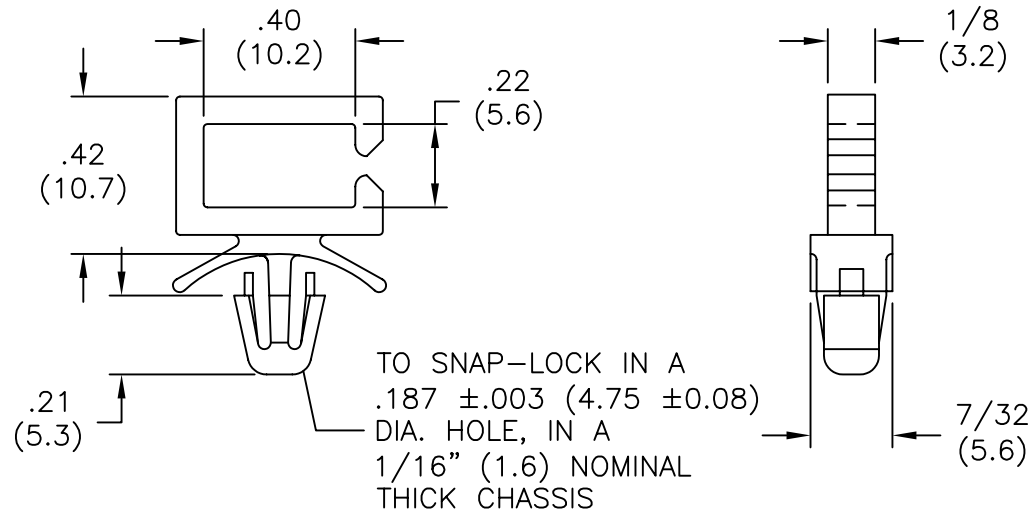


MAT'L: NYLON 66
(RMS-01), NATURAL.
PART NO.

MAT'L: NYLON 66
(RMS-19), NATURAL.
FLAME RETARDANT
PART NO.

WS-SE-A-1-01

WS-SE-A-1-19



TITLE: WIRE SADDLE SIDE ENTRY-01



DWG IN
IN (MM)



FINAL

TOLERANCES
UNLESS NOTED
.XX=±.010
.XXX=±.005
FRAC=1/64
ANG=1°

FILE # WSSEA1

DWN: P.B.

APP:

MAT'L: SEE TABLE

DT: 08-18-94 DT:

PART #

PRINT
TYPE

RE: RICHCO, INC.

RICHCO INC.
PO BOX 804238, CHICAGO, 60680
(773) 539-4060

WS-SE-A-1 SERIES

CA

A	REMOVED NOTES; ADDED TABLE AND CHANGED FILE NO.	SM 04.12.01
REV	DESCRIPTION	ENGR DATE